



325 COMMERCE DRIVE
 MT VERNON, OH 43050
 800-253-8236

SPECIFICATION DATA SHEET

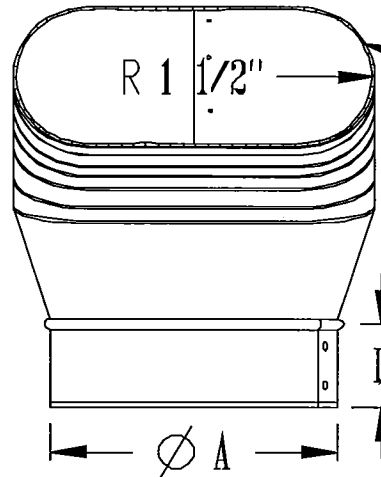
DATE: 8-19-13
 PREPARED BY: RL

MODEL NO. 574 ROUND TO OVAL 90° BOOT

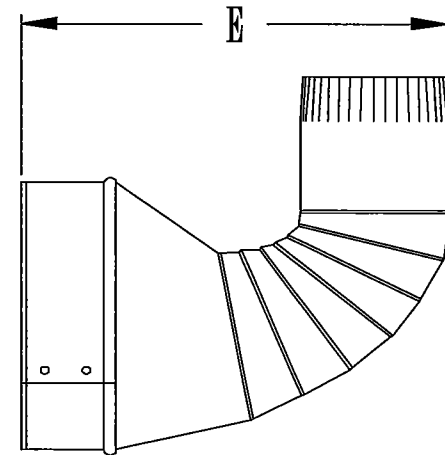
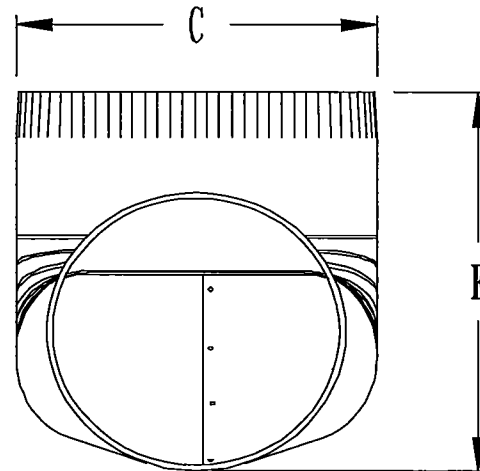
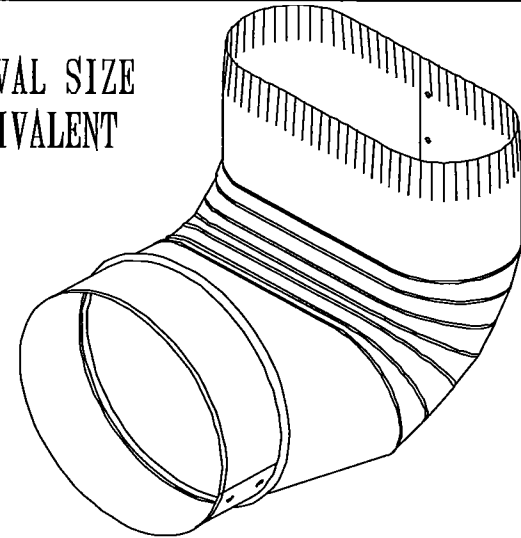
STANDARD MODEL

DIMENSIONS

SIZE	A	B	C	D	E	F
5"	5"	5"	6 1/8"	2"-HEM	8 3/8"	7 3/8"
6"	6"	6"	7 3/8"	2"-HEM	9"	8 1/2"
7"	7"	7"	9 1/4"	2"-HEM	10 1/8"	10 1/4"
8"	8"	8"	10 3/4"	2"-HEM	10 1/8"	10 1/4"



B: OVAL SIZE
 EQUIVALENT



MATERIAL SPECIFICATIONS

HOT DIPPED GALVANIZED STEEL.
 PER ASTM A 653 CSB.

BODY & COLLARS = STANDARD GAUGE

ASSEMBLED WITH 1/8" ZINC COATED RIVETS.

OPTIONS

JOB: _____
 LOCATION: _____
 CONTRACTOR: _____
 ENGINEER: _____
 NOTES: _____